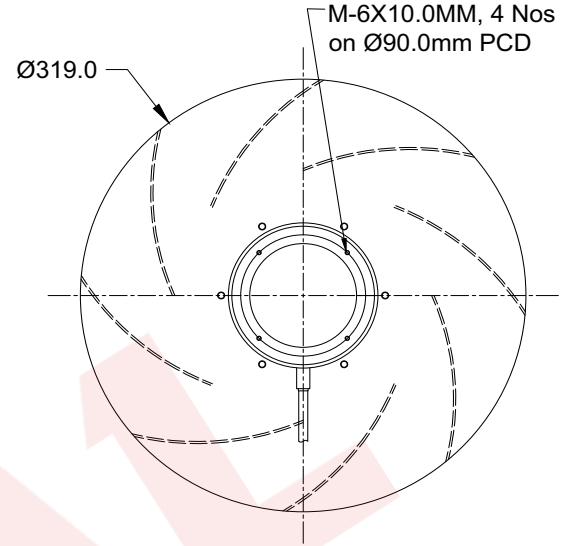
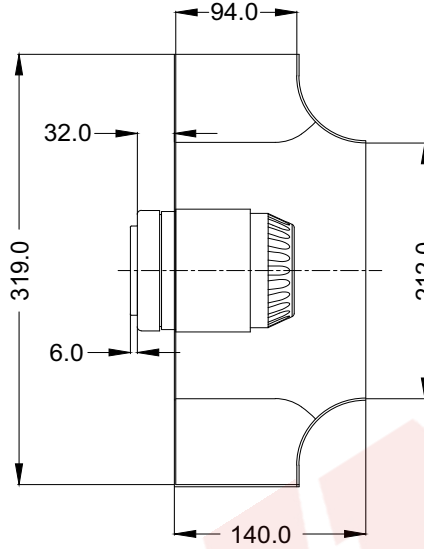


TECHNICAL DATA SHEET



NOTE:- ALL DIMENSION ARE IN MM.

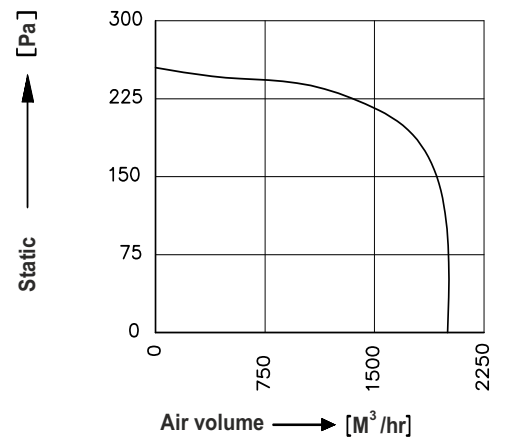
SPECIFICATIONS (50 Hz)

| Volt (V) | Watts (W) | Current (A) | Speed (RPM) | Capacitor (µF) | Air Vol. (m ³ /hr) | Noise (dBA) | Nt. Wt. (Kg) |
|----------|-----------|-------------|-------------|----------------|-------------------------------|-------------|--------------|
| 230 | 130 | 0.64 | 1400 | 4.0 | 2000 | 65 | 4.9 |

MECHANICAL CHARACTERISTIC

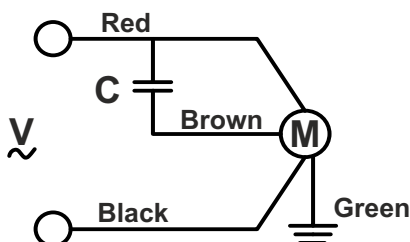
| | |
|-----------------------------------|---------------------------------------------------------|
| Impeller | Aluminum Powder Coated |
| Rotor | Powder Coated |
| Type Of Protection | IP-54 |
| Motor Protected | Thermally Protected At 145 C |
| Insulation Class | "F" |
| Bearing | Maintenance Free Ball Bearing |
| Permissible Ambient Temperature | 0° To 60° C |
| High Voltage Test According to IS | 3588-1987 |
| Direction Of Rotation | Counter clockwise Seen On Rotor, |
| Balancing Grade | Fans Conform 6.3 Grade As Recommended By IS 1940-1-2003 |

PERFORMANCE CURVE



Conversion: 100pa ≈ 0.4" H2O 100m³/hr ≈ 60cfm

WIRING DIAGRAM



| | | |
|-----------------|-----------------|---------------------------------------|
| DRAWN BY | V.J.P | TITLE:- MODEL : BC315-4E-K3 |
| CHECKED BY | J.G.P | |
| APPROVED BY | S.B.D | |
| SCALE N.T.S. | SHEET 1 OF 1 | REV/DATE: 04,01.11.2019 |

Note:- All Information contained in this document is **CONFIDENTIAL** and the property of HETAL INDUSTRIES
Reproduction of this in any form is to be done with the specific permission of the company.